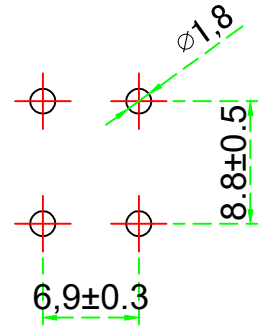
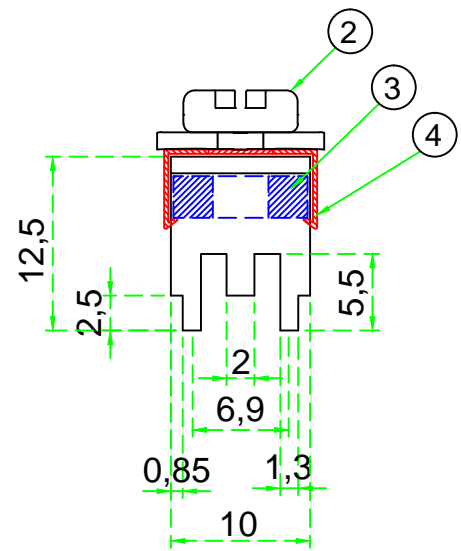
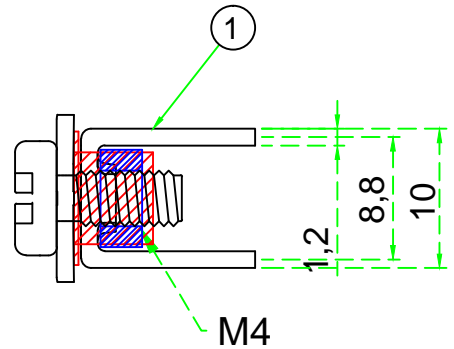
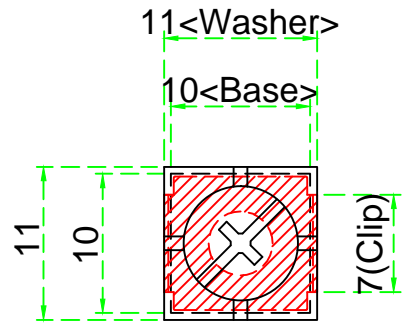


4	Clip	Stainless Steel		0.3t
3	Nut	Steel	3가아연_백	M4_7x10mm
2	Screw	Steel	Ni	M4
1	Base	Brass	Tin	1.2t
No.	Part Name	Material	Plating	Remark



* Base와 Screw 분리된 상태로 출고됨*

Note.
1. 지시하지 않은 공차: **GENERAL TOLERANCES**

GENERAL TOLERANCES		Part Name.		Dwg No.	
0 ~ 10	±0.2	Earth Terminal		BI-1010ESN	
10 ~ 50	±0.5				
50 ~ 100	±0.7	Drawing BY.		Sheet No. of	
Scale /		Checkd BY.		Approval BY.	
		Material		(주)부일일렉트로닉스 BUIL ELECTRONICS CO., LTD. www.ebuil.com	
		Finish			