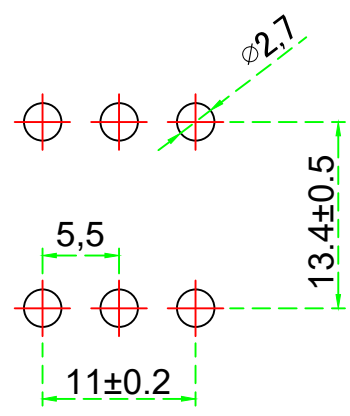
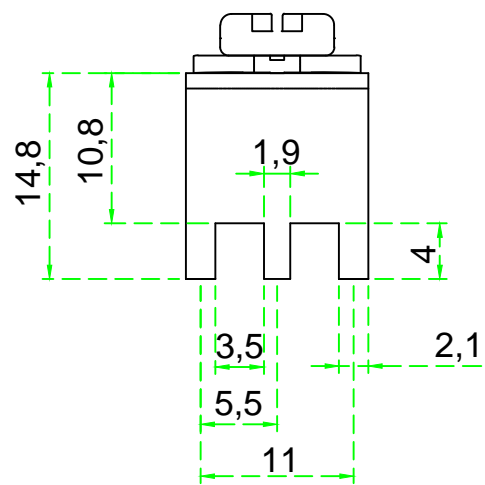
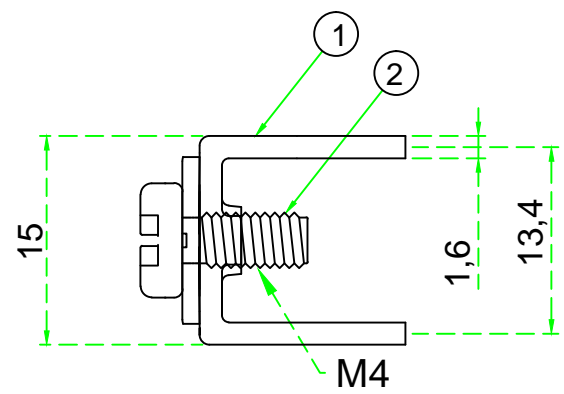
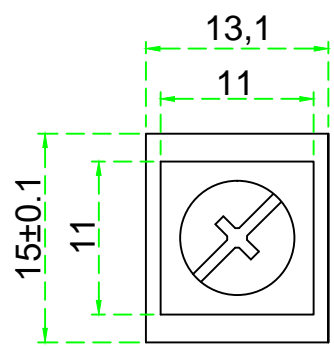


3				
2	Screw	Steel	Ni	M4
1	Base	Brass(황동)	Tin	1.6t
No.	Part Name	Material	Plating	Remark



\* Base와 Screw 분리된 상태로 출고됨\*

**Note.**  
1. 지시하지 않은 공차: **GENERAL TOLERANCES**

GENERAL TOLERANCES		Part Name.		Dwg No.	
0 ~ 10	±0.2	Earth Terminal		BI-1315ES4	
10 ~ 50	±0.5				
50 ~ 100	±0.7	Drawing BY.	Checkd BY.	Approval BY.	Sheet No.
Scale	/				(주)부일일렉트로닉스 BUIL ELECTRONICS CO., LTD. www.ebuil.com
Material					
Finish					