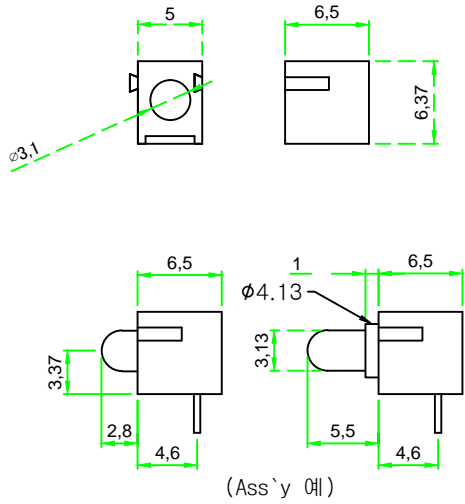
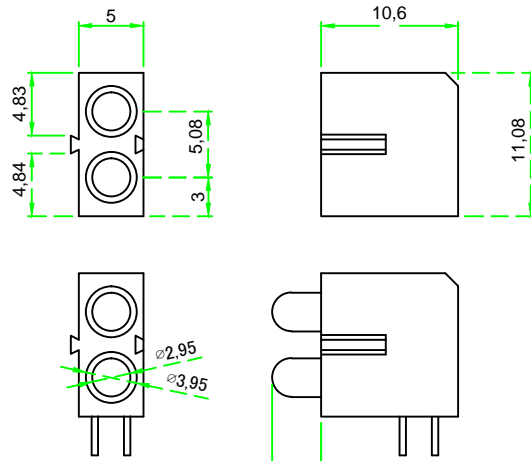


(BI-3051)



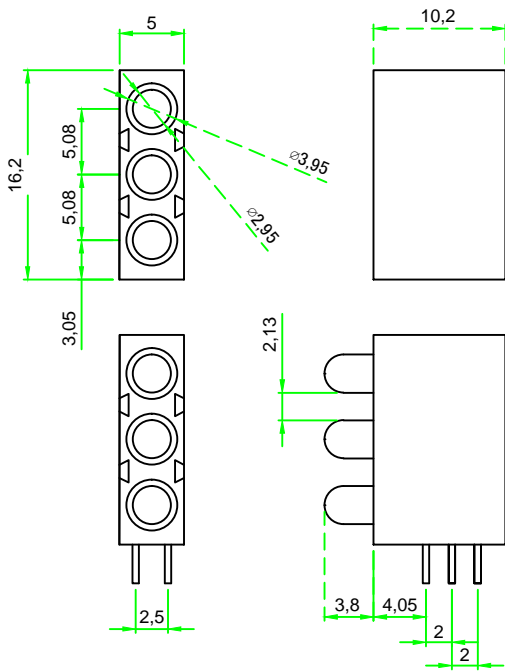
(Ass'y 예)

(BI-3252)



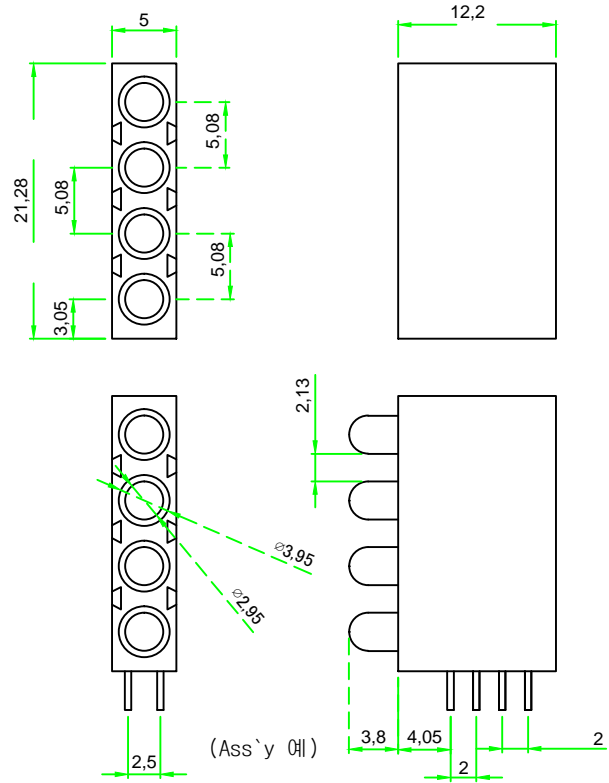
(Ass'y 예)

(BI-3053)



(Ass'y 예)

(BI-3054)



(Ass'y 예)

\* 특기사항: 제품 후면을 Cover로 마감하여 LEAD가 안보임

GENERAL TOLERANCES			Part Name.		Dwg No.		
0 ~ 10	±0.3	±1.5°	LED HOLDER				
10 ~ 20	±0.5						
20 ~ 50	±0.8						
50 ~ 100	±1.0						
Scale	/		Drawing BY.	Checkd BY.	Approval BY.	Sheet No.	of
Material	PBT					(주)부일일렉트로닉스 BUIL ELECTRONICS CO., LTD. www.ebuil.com	
Finish							