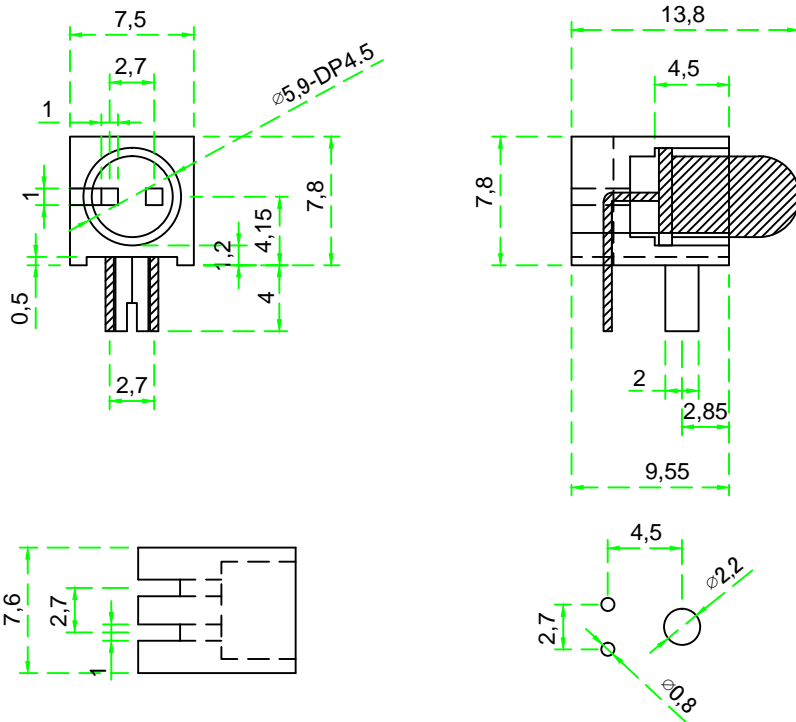


LED Model	COLOR	비고	Maker
L-513HD	R	Red	Para Light
L-513GD	G	Green	
L-513YD	Y	Yellow	

(모델번호 "BI-502-P-G" 예)
P = 우측 +
G = Green



PCB MOUNTING HOLE

NOTE.

1. 지시하지 않은 공차 : General Tolerances

GENERAL TOLERANCES		Part Name.		Dwg No.	
0 ~ 10	±0.3	LED Module		BI-502-x-x	
10 ~ 20	±0.5				
20 ~ 50	±0.8	Drawing BY.	Checkd BY.	Approval BY.	Sheet No. of
50 ~ 100	±1.0				(주)부일일렉트로닉스 BUIL ELECTRONICS CO., LTD. www.ebuil.com
Scale	/				
Material	PBT				
Finish					