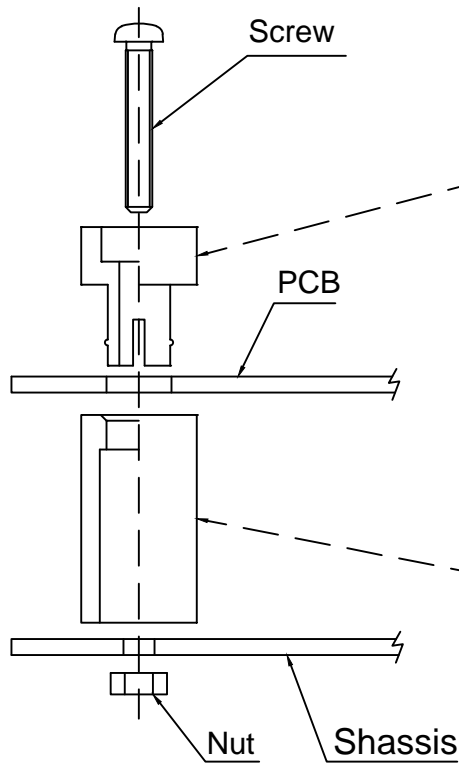
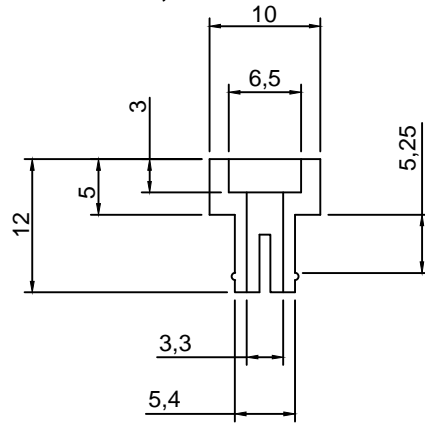
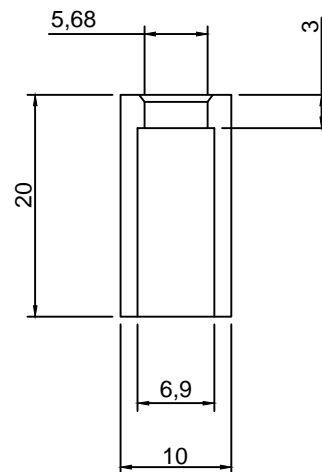


3				
2				
1	Base	N-66		Color: Natural
	Part Name	Material	Plating	Remark

(SJB-012)



(SJC-20L)



(BI-SJCB-20L = SJB-012 + SJC-20L)

GENERAL TOLERANCES		Part Name.		Dwg No.	
0 ~ 50	±0.3	Collar Spacer		BI-SJCB-20L	
50 ~ 400	±0.5				
400 ~ 1000	±0.7				
1000 ~ 3000	±0.9				
Scale	1 / 1	Drawing BY.	Checkd BY.	Approval BY.	Sheet No. of
Material	Nylon 6/6				(주)부일일렉트로닉스 BUIL ELECTRONICS CO., LTD.
Finish					