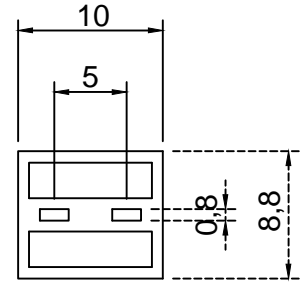
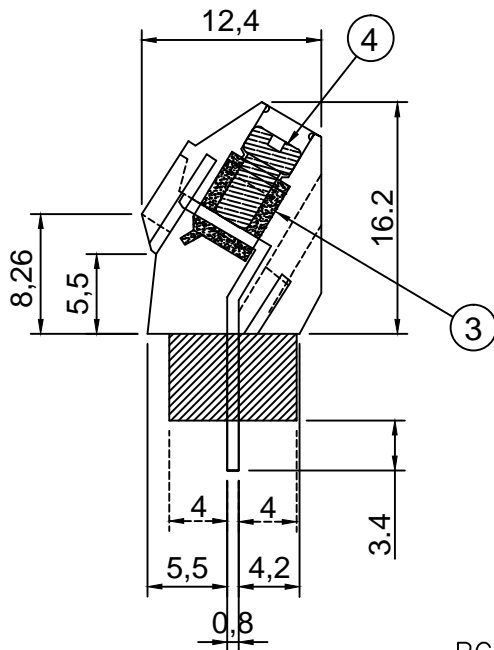


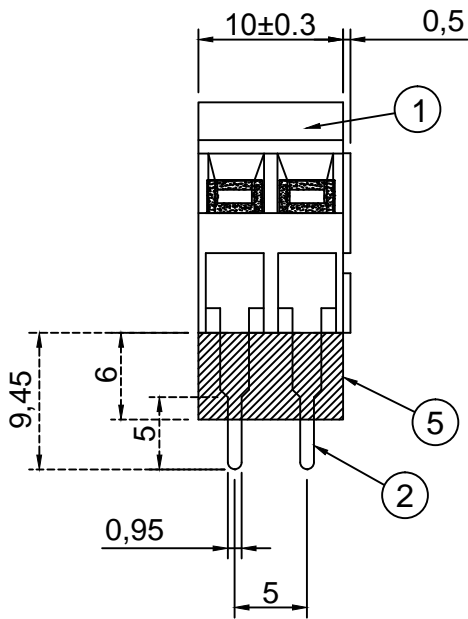
Current rating	AC250V 10Amp
Insulation resistance	500M Ohms of More at DC500V
Withstand voltage	AC2000V/Minute
Wire range	AWG #18~#26

5	Spacer	PA66		UL-94V0
4	Screw	Steel	Ni	M2.6
3	Terminal-2	Brass	Tin	H
2	Terminal-1	Brass	Tin	1/2H
1	Base	PA66		UL-94V0
	Part Name	Material	Plating	Remark

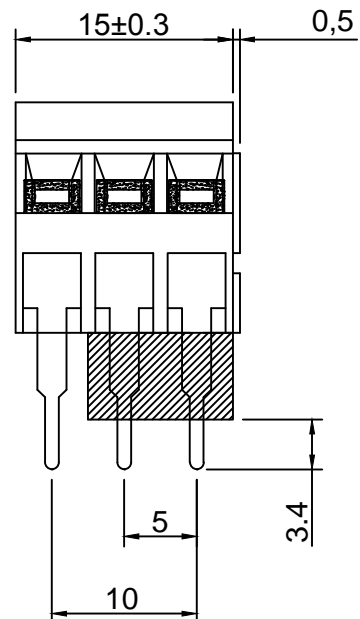


(Spacer 배면)

PCB hole Dia:  $\phi 1.5$



(BI-5045GSLS-2P)



(BI-5045GSLS-3P)

GENERAL TOLERANCES		Part Name.	MOEDL No.	
0 ~ 10	$\pm 0.2$	Terminal Block	BI-5045GSLS-*P	
11 ~ 50	$\pm 0.5$			
51 ~ 100	$\pm 0.8$	SIZE	Drawing BY.	Approval BY.
	$\pm 1.5^\circ$	A4		
Scale	/	UNIT	Sheet No.	
Material		mm	(주)부일일렉트로닉스	
Finish			BUIL ELECTRONICS CO.,LTD	
			www.ebuil.com	