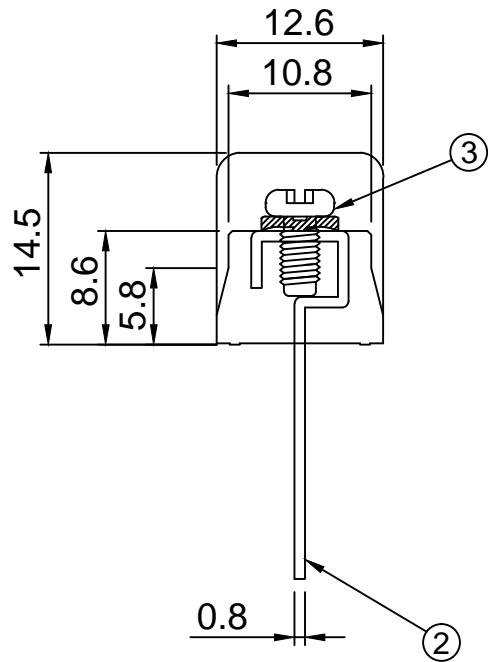
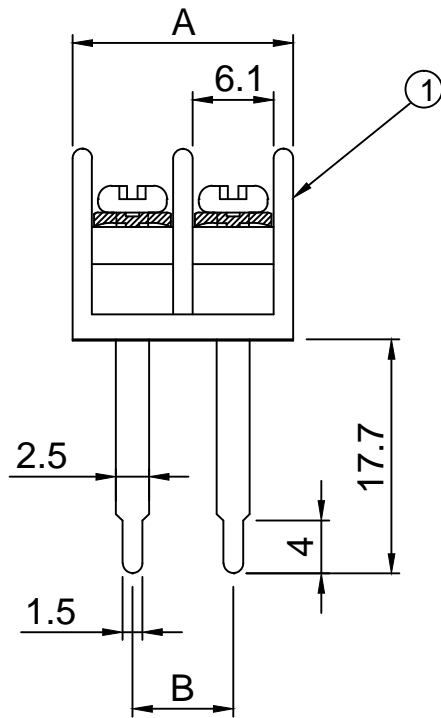
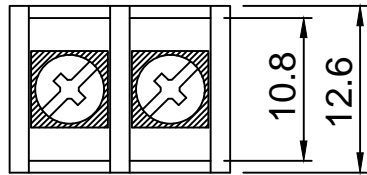


4							
3	Screw	Steel		Nickel			M3
2	Terminal	Brass	1/2H	TIN			0.8t
1	Base	PBT	UL94V-0		Black		
No.	COMPONENT PARTS	MATERIAL	STANDARD	PLATED	COLOR	Q'TY	REMARK

Current rating	AC250V 10Amp
Insulation resistance	500M Ohms of More at DC500V
Withstand voltage	AC2000V/Minute
Wire range	AWG #18~#26
Torque	5.2 lb-in



PCB hole Dia: $\phi 1.8$

Pin	2	3	4	5	6	7	8	9	10	11	12	13	~
A± 0.8	16.74	24.36	31.98	39.63	47.22	54.84	62.46	70.08	77.7	85.32	92.94	100.56	+7.62 ~
B± 0.5	7.62	15.24	22.86	30.48	38.1	45.72	53.34	60.96	68.58	76.2	83.82	91.44	+7.62 ~

GENERAL TOLERANCES		Part Name.		Dwg No.	
0 ~ 50	± 0.5	Terminal Block		BI-762C-BS1-**P	
50 ~ 100	± 0.8				
100 ~ 150	± 1.0	Drawing BY.		Checkd BY.	
150 ~ 200	± 1.5				
Scale	/	Approval BY.		Sheet No. of	
Material		(주) 부일일렉트로닉스 BUIL ELECTRONICS CO., LTD (www.ebuil.com)			