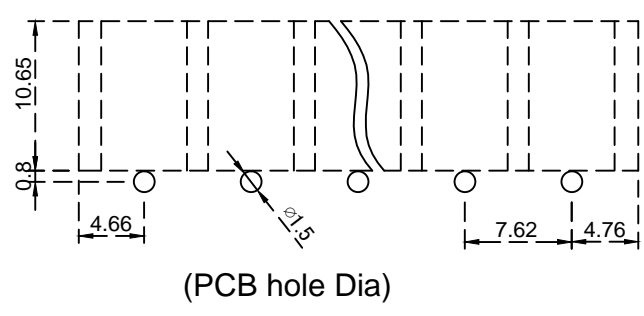
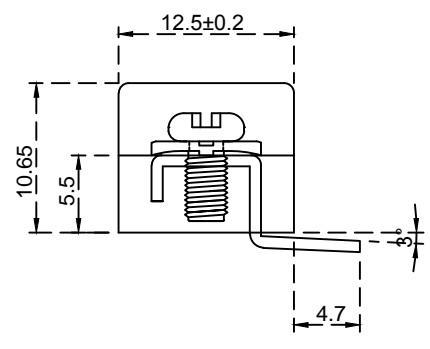
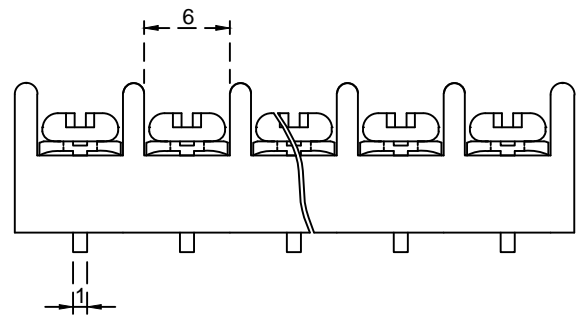
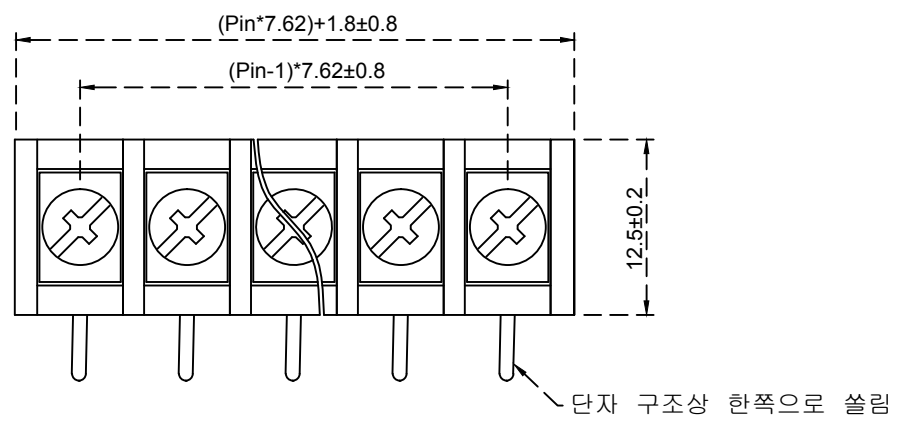


4								Current rating	AC250V 10Amp
3	Screw	Steel		Nickel			M3	Insulation resistance	500M Ohms of More at DC500V
2	Terminal	Brass	1/2H	TIN			0.8t	Withstand voltage	AC2000V/Minute
1	Base	PBT	UL94V-0		Black			Wire range	AWG #16~#24
No.	COMPONENT PARTS	MATERIAL	STANDARD	PLATED	COLOR	Q'TY	REMARK	Torque	5.2 lb-in



Note.
1. 지시하지 않은 공차: GENERAL TOLERANCES

GENERAL TOLERANCES			Part Name.		Dwg No.	
0 ~ 10	±0.3	±1.5°	Terminal Block		BI-762C-1L-**P	
10 ~ 20	±0.5					
20 ~ 50	±0.8					
Scale			Drawing BY.	Checked BY.	Approval BY.	Sheet No.
Material						of
			(주) 부일일렉트로닉스 BUIL ELECTRONICS CO., LTD. (www.ebuil.com)			