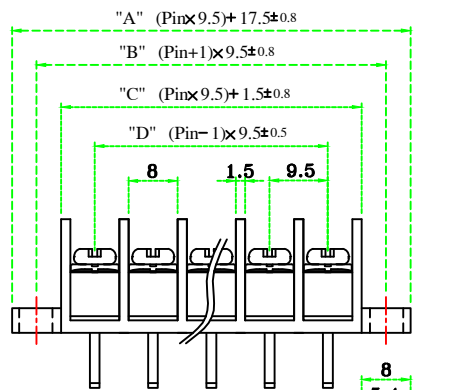
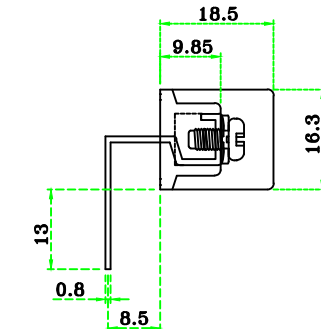
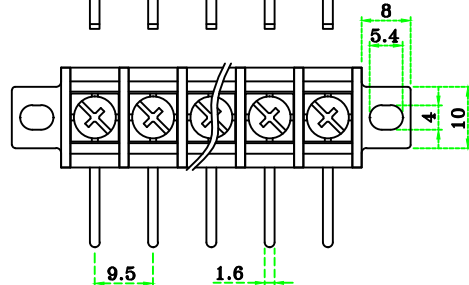


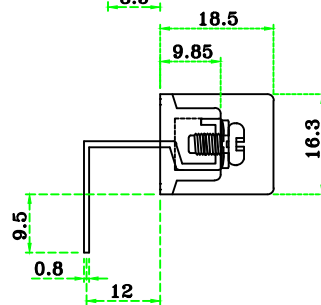
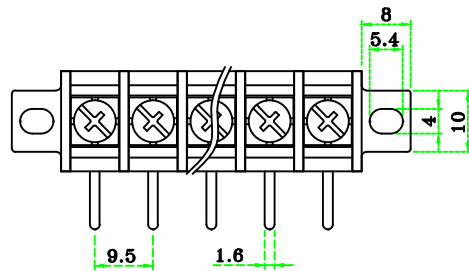
|   |           |          |         |         |                       |                              |
|---|-----------|----------|---------|---------|-----------------------|------------------------------|
| 4 |           |          |         |         | Current rating        | AC250V 10Amp                 |
| 3 | Screw     | Steel    | Ni      | M3.5    | Insulation resistance | 1000M Ohms of More at DC500V |
| 2 | Terminal  | Brass    | TIN     | 1/2H    | Withstand voltage     | AC2000V/Minute               |
| 1 | Base      | PBT      |         | UL94 V0 | Wire range            | AWG #14~22                   |
| A | Part Name | Material | Plating | Remark  | Torque                | 6.9 lb-in                    |



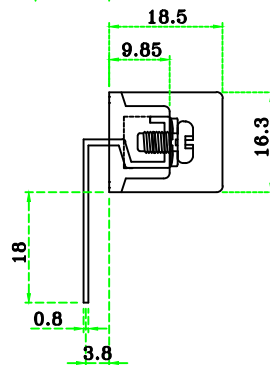
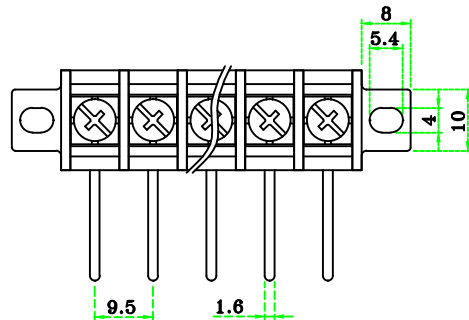
(A Type)  
<Standard>



(B Type)



(C Type)



Option.

1. Cover 사용시 모델No. : BI-95A-2LDC-\*P

Note.

1. 지시하지 않은 공차: GENERAL TOLERANCES

PCB hole Dia:  $\phi 2.0$

|                    |           |  |                |  |  |  |
|--------------------|-----------|--|----------------|--|--|--|
| GENERAL TOLERANCES |           |  | Part Name.     |  | Dwg No.  |  |
| 0 ~ 50             | $\pm 0.5$ |  | Terminal block |  | BI-95A-2LD-*P  |  |
| 50 ~ 100           | $\pm 0.8$ |  | Drawing BY.    |  | Checkd BY.   |  |
| 100 ~ 150          | $\pm 1.0$ |  | Approval BY.   |  | Sheet No.  |  |
| 150 ~ 200          | $\pm 1.2$ |  | of             |  |  |  |
| Scale              |           |  |                |  | (주)부일일렉트로닉스<br>BUIL ELECTRONICS CO., LTD.<br>www.ebuil.com |  |
| Material           |           |  |                |  |  |  |
| Finish             |           |  |                |  |  |  |