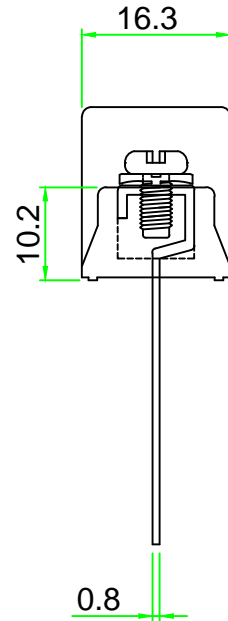
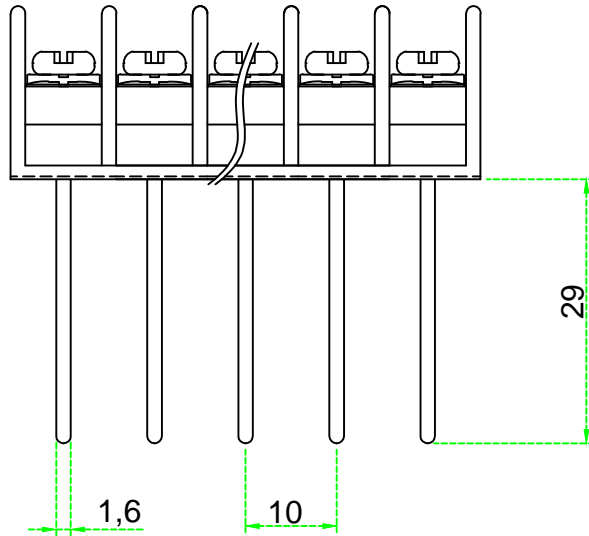
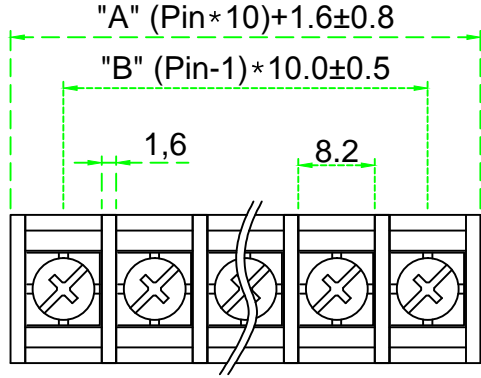


|   |           |          |         |        |                       |                              |
|---|-----------|----------|---------|--------|-----------------------|------------------------------|
| 4 |           |          |         |        | Current rating        | AC250V 10Amp                 |
| 3 | Screw     | Steel    | Ni      | M3.5   | Insulation resistance | 1000M Ohms of More at DC500V |
| 2 | Terminal  | Brass    | TIN     | 1/2H   | Withstand voltage     | AC2000V/Minute               |
| 1 | Base      | PBT      |         | UL94V0 | Wire range            | AWG #12~22                   |
| A | Part Name | Material | Plating | Remark | Torque                | 6.9 lb-in                    |



PCB hole Dia:  $\varnothing 2.0$

**Note.**

1. **One Mold** 최대 핀수: 20Pin
2. **Base** 연결용 최대 핀수 :  $\infty$
3. **Base** 연결용은 마지막에 **End cover** 사용시 1.4mm 커짐
4. **Cover** 사용시 모델No. : BI-10A-2SC-\*P\_(Option)
5. 지시하지 않은 공차: **GENERAL TOLERANCES**

|                    |      |                       |                     |              |  |    |
|--------------------|------|-----------------------|---------------------|--------------|--|----|
| GENERAL TOLERANCES |      | Part Name.            | Dwg No.             |              |  |    |
| 0 ~ 50             | ±0.3 | <b>Terminal block</b> | <b>BI-10A-2S-*P</b> |              |  |    |
| 50 ~ 100           | ±0.5 |                       |                     |              |  |    |
| 100 ~ 150          | ±0.8 |                       |                     |              |  |    |
| 150 ~ 200          | ±1.0 |                       |                     |              |  |    |
| Scale              | /    | Drawing BY.           | Checkd BY.          | Approval BY. | Sheet No.  | of |
| Material           |      |                       |                     |              | (주)부일일렉트로닉스<br>BUIL ELECTRONICS CO., LTD.<br>www.ebuil.com |    |
| Finish             |      |                       |                     |              |  |    |