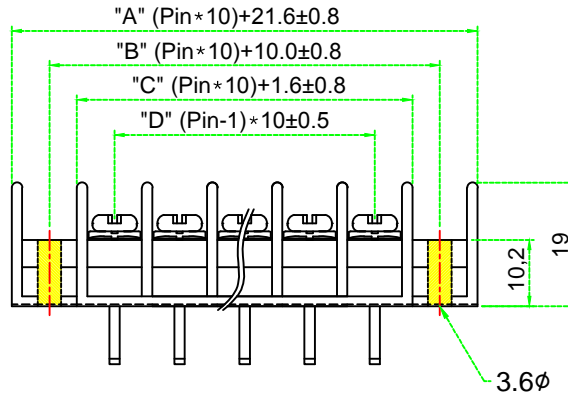
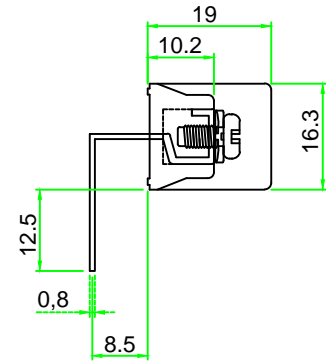
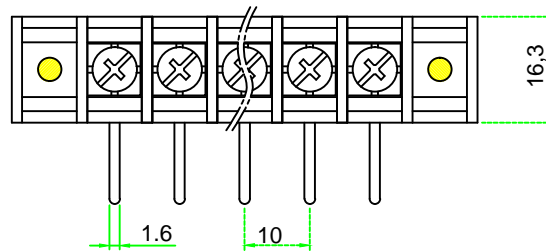


4				
3	Screw	Steel	Ni	M3.5
2	Terminal	Brass	TIN	1/2H
1	Base	PBT		UL94V0
A	Part Name	Material	Plating	Remark

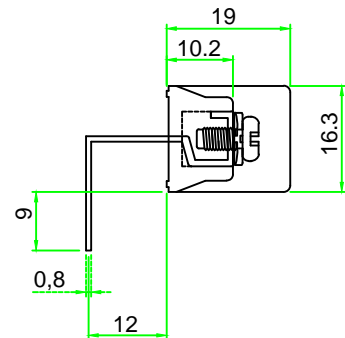
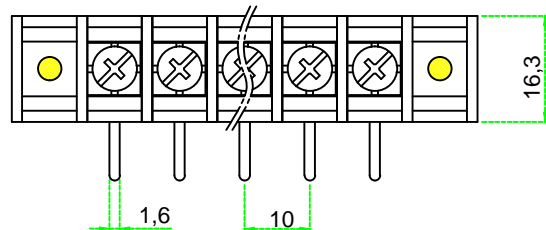
Current rating	AC250V 10Amp
Insulation resistance	1000M Ohms of More at DC500V
Withstand voltage	AC2000V/Minute
Wire range	AWG #12~22
Torque	6.9 lb-in



(A Type)  
<Standard>



(B Type)



Note.

1. One Mold 최대 핀수: 18Pin
2. Base 연결용 최대 핀수 : ∞
3. Cover 사용시 모델No. : BI-10A-2LFC-\*P\_(Option)
4. 지시하지 않은 공차: GENERAL TOLERANCES

PCB hole Dia: Ø2.0

GENERAL TOLERANCES		Part Name.	Dwg No.	
0 ~ 50	±0.3	Terminal block	BI-10A-2LF-*P	
50 ~ 100	±0.5			
100 ~ 150	±0.8	Drawing BY.	Checkd BY.	Approval BY.
150 ~ 200	±1.0			
Scale	/	Sheet No.	of	
Material		(주)부일일렉트로닉스 BUIL ELECTRONICS CO., LTD. www.ebuil.com		
Finish				