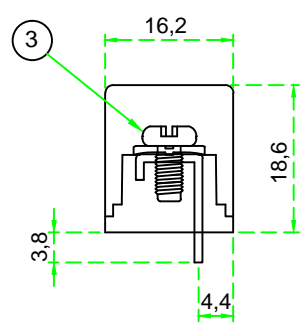
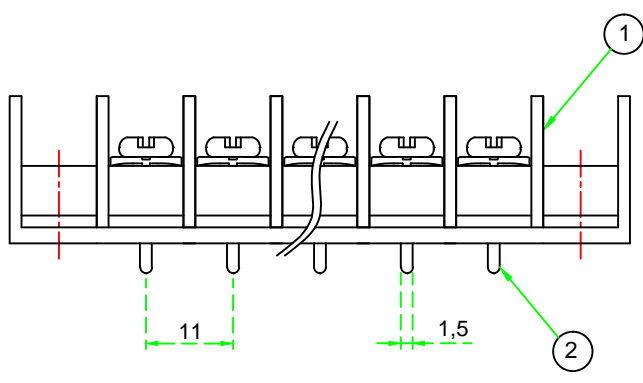
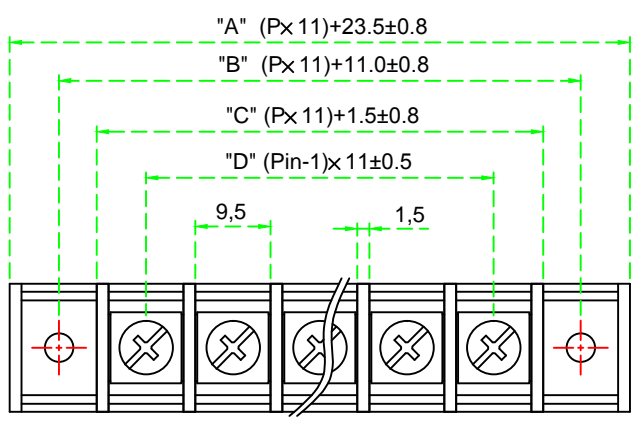


4					Current rating	AC250V 18Amp
3	Screw	Steel	Ni	M3.5	Insulation resistance	1000M Ohms of More at DC500V
2	Terminal	Brass	TIN	1/2H	Withstand voltage	AC2000V/Minute
1	Base	PBT		UL94 V-0	Wire range	AWG #14~#22
A	Part Name	Material	Plating	Remark	Torque	6.9 lb-in



PCB hole Dia: $\phi 2.0$

(Option)

1. Cover 사용시 No: BI-11A-1FC- *P

(Note)

2. 지시하지 않은 공차: **GENERAL TOLERANCES**

GENERAL TOLERANCES			Part Name.		Dwg No.		
0 ~ 50	±0.5		Terminal block		BI-11A-1F- * P		
50 ~ 100	±0.8						
100 ~ 150	±1.0		Drawing BY.	Checkd BY.	Approval BY.	Sheet No.	of
150 ~ 200	±1.2					(주)부일일렉트로닉스 BUIL ELECTRONICS CO., LTD. www.ebuil.com	
Scale	/						
Material							
Finish							