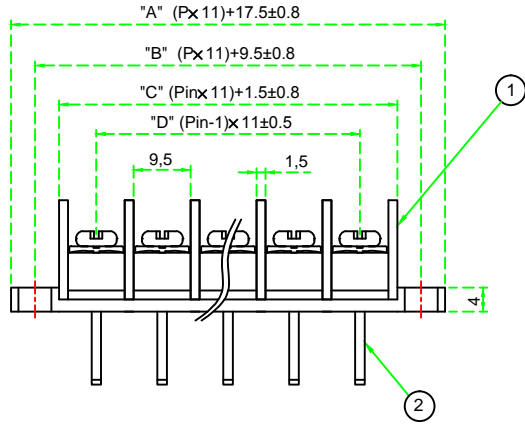
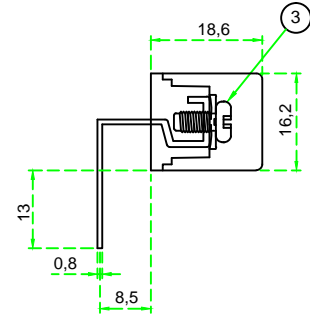
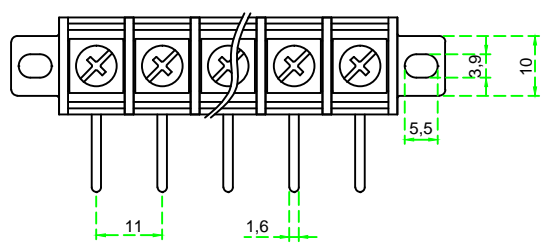


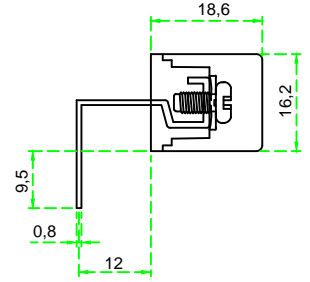
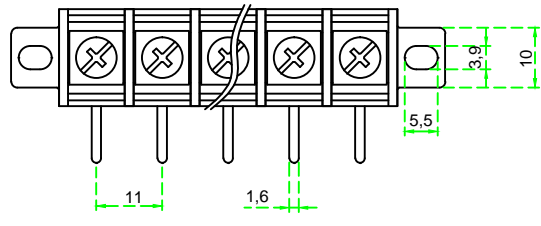
4					Current rating	AC250V 10Amp
3	Screw	Steel	Ni	M3.5	Insulation resistance	1000M Ohms of More at DC500V
2	Terminal	Brass	TIN	1/2H	Withstand voltage	AC2000V/Minute
1	Base	PBT		UL94 V-0	Wire range	AWG #14~#22
A	Part Name	Material	Plating	Remark	Torque	6.9 lb-in



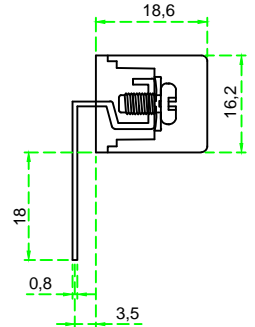
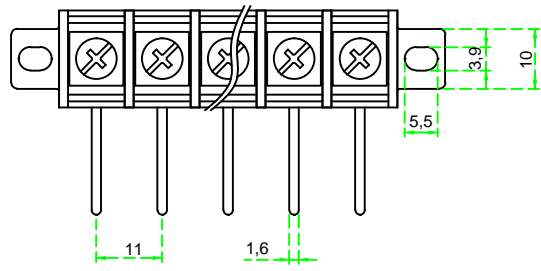
(A Type)
<Standard>



(B Type)



(C Type)



(Option)

1. Cover 사용시 No: BI-11A-2LDC-※P

PCB hole Dia: Ø2.0

(Note)

2. 지시하지 않은 공차: GENERAL TOLERANCES

GENERAL TOLERANCES		Part Name.		Dwg No.	
0 ~ 50	±0.5	Terminal block		BI-11A-2LD-※P	
50 ~ 100	±0.8				
100 ~ 150	±1.0	Drawing BY.	Checkd BY.	Approval BY.	Sheet No.
150 ~ 200	±1.2				of
Scale	/	(주)부일일렉트로닉스 BUIL ELECTRONICS CO., LTD. www.ebuil.com			
Materral					
Finish					