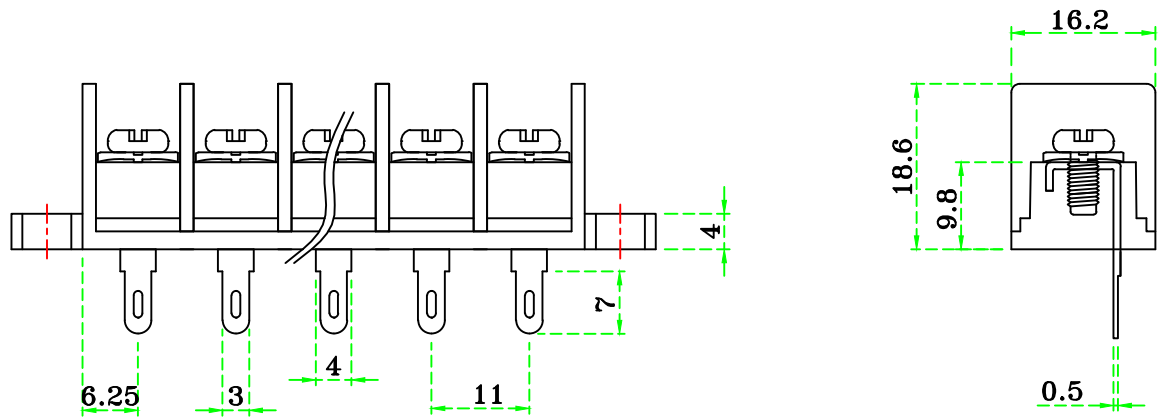
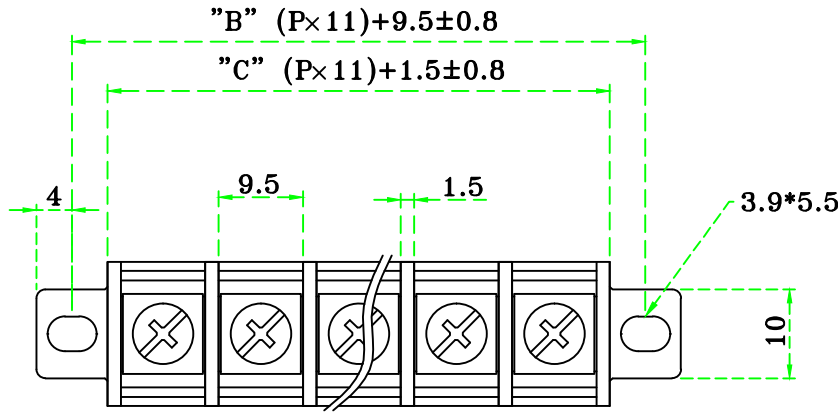


4				
3	Screw	Steel	Ni	M3.5
2	Terminal	Brass	TIN	1/2H
1	Base	PBT		UL94 V0
A	Part Name	Material	Plating	Remark

3	Current rating	AC250V 15Amp
	Insulation resistance	1000M Ohms of More at DC500V
	Withstand voltage	AC2000V/Minute
	Wire range	AWG #14~22
A	Torque	6.9 lb-in



<110REC 삼입용>

Note.

1. 지시하지 않은 공차: GENERAL TOLERANCES

(Dimension)

Pin	2	3	4	5	6	7	8	9	10	11	12	13	14	15	16	17	18
B±0.8	31.5	42.5	53.5	64.5	75.5	86.5	97.5	108.5	119.5	130.5	141.5	152.5	163.5	174.5	185.5	196.5	207.5
C±0.8	23.5	34.5	45.5	56.5	67.5	78.5	89.5	100.5	111.5	122.5	133.5	144.5	155.5	166.5	177.5	188.5	199.5

GENERAL TOLERANCES		Part Name.		Dwg No.	
0 ~ 50	±0.5	Terminal block		BI-11A-TRD-*P	
50 ~ 100	±0.8				
100 ~ 150	±1.0	Drawing BY.		Checkd BY.	
150 ~ 200	±1.2				
Scale		Approval BY.		Sheet No.	
Material		Approval BY.		of	
Finish					
				(주)부일일렉트로닉스 BUIL ELECTRONICS CO., LTD. www.ebuil.com	