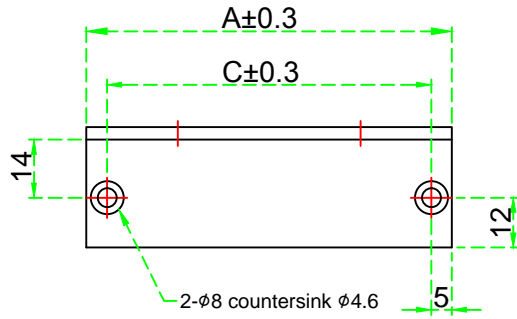
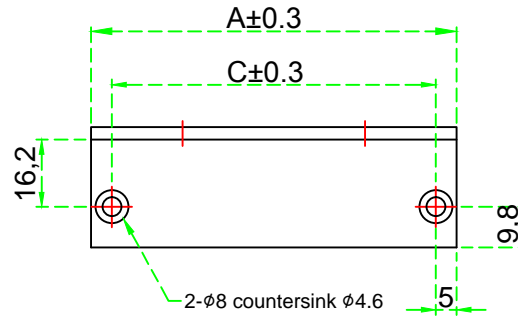


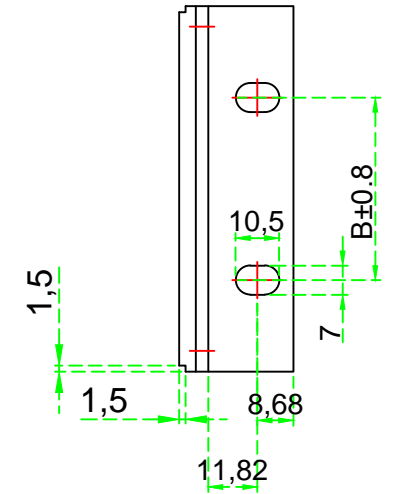
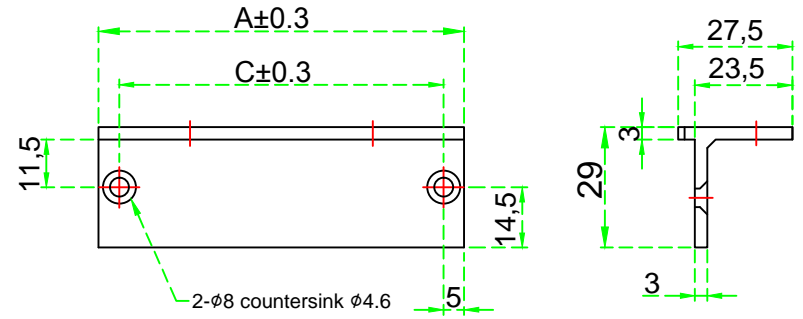
"A"
(BI-431FUR 용)



"B"
(BI-FRAME36 용)



"C"
(BI-SHIEX 용)



U	A	B	C	
1U	43.7	31.8	33.7	
2U	88.1	44	78.1	
3U	132.5	57.1	122.5	
4U	177	101.6	167	
5U	221.5	146.1	211.5	
6U	265.9	190.5	255.9	

Note:

1. Side Board 두께 2.5mm 적용.

GENERAL TOLERANCES			Part Name.		MOEDL No.		
0 ~ 10	± 0.5		플랜지 (FLANGE)		BI-FF-?UA or B or C		
11 ~ 50	± 0.5						
51 ~ 100	± 0.5						
Scale /			SIZE A4	Drawing BY.	Approval BY.	Sheet No.	of
Material AL6063-T5			UNIT mm			(주)부일일렉트로닉스 BUIL ELECTRONICS CO., LTD. www.ebuil.com	
Finish							