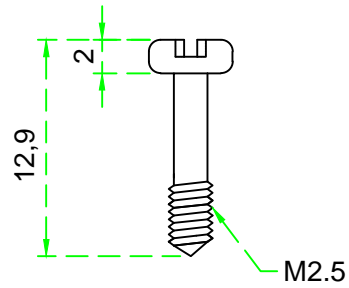
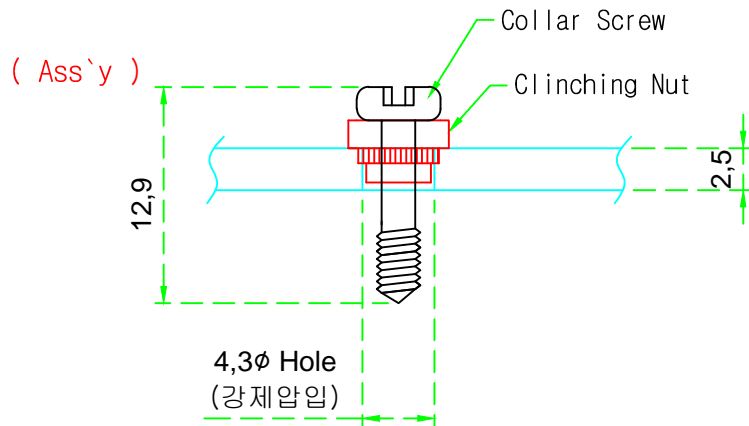


클린칭너트(1.6t)



칼라스크류(머리2t)



GENERAL TOLERANCES			Part Name. Clinching Nut & Collar Screw	Dwg No.		Clinching Nut & Collar Screw	
0 ~ 50	±0.1	 ±1.5°		Drawing BY.	Checkd BY.	Approval BY.	Sheet No.
50 ~ 400	±0.2		(주)부일일렉트로닉스 BUIL ELECTRONICS CO., LTD. www.ebuil.com				
400 ~ 1000	±0.3						
1000 ~ 3000	±0.5						
Scale							
Material							
Finish							