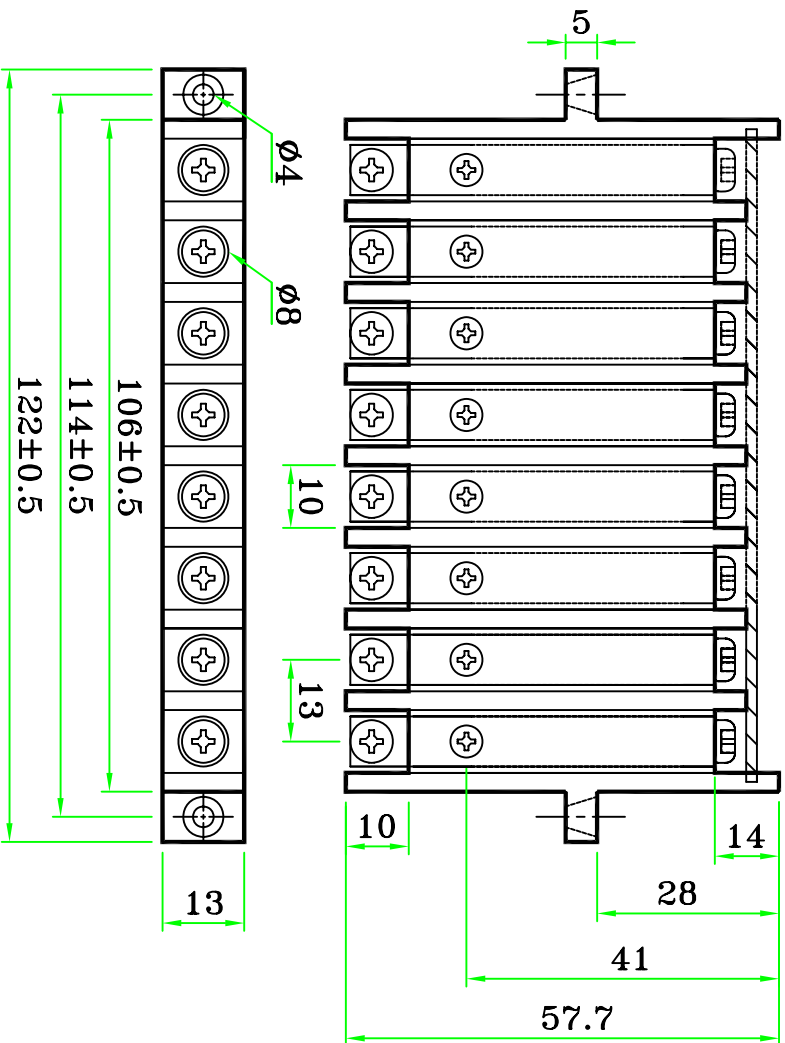
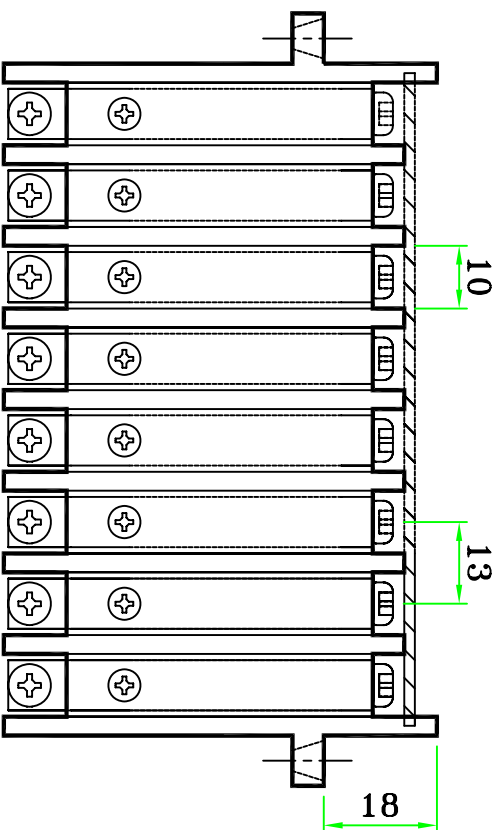


5	Cover			
4	Screw	Steel	Ni	M4
3	Terminal	Brass	Ni	
2	Housing	Phenol		
1	Part Name	Material	Plating	Remark

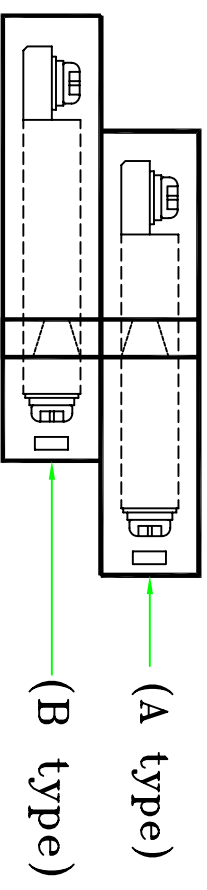
(A type)



(B type)



(A, B Type SET 사용시)



* Base와 Screw & Cover 분리된 상태로 출고됨 *

DRAWN.	UNIT	SIZE	DESCRIPTION.	DRAWING NO.
S J Kim	mm	A4	TERMINAL BLOCK	
APPROVER.	SCALE	DATE	MODEL NO.	(주)부일일렉트로닉스
C H Choi	/	07.04.02	BI-CTBT-8P	